

PRO VER K SMART

CNC MACHINING CENTRE



POWERFUL AND COMPACT



THE MARKET EXPECTS

a change in manufacturing processes, enabling companies to **accept the largest possible number of orders**. This is coupled with the need to maintain high quality standards and customisation of products with **quick and defined delivery times**, as well as responding to the needs of highly creative designers.

BIESSE RESPONDS

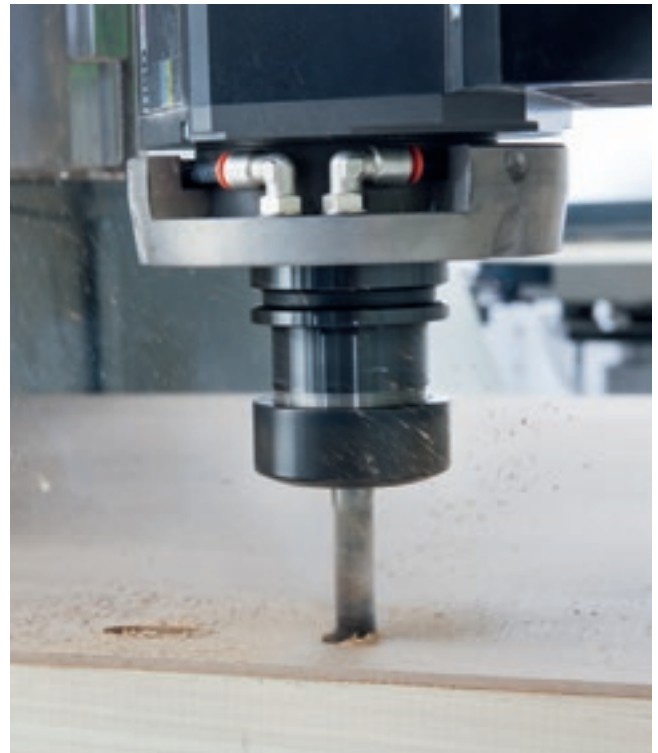
with **technological solutions** that enhance and support technical expertise as well as process and material knowledge. **Rover K Smart** is a CNC machining centre for artisan and small to medium sized businesses looking for simple solutions at affordable prices.



ROVER K SMART

- ✓ FOR MACHINING PANELS AND SOLID WOOD PIECES WITH A SINGLE, INNOVATIVE MACHINE
- ✓ EASY TOOLING AND OPTIMAL PANEL HOLD
- ✓ PANEL AND WORK AREA CLEANING
- ✓ MAXIMUM OPERATOR SAFETY
- ✓ CUTTING-EDGE TECHNOLOGY IS RENDERED ACCESSIBLE AND INTUITIVE

FOR MACHINING PANELS AND SOLID WOOD PIECES WITH A SINGLE, INNOVATIVE MACHINE



The Rover K Smart is equipped with 3 or 4 independent interpolating axes, and can be fitted with aggregates capable of handling any type of machining operation, both on panels and on solid wood workpieces.

TOP-OF-THE-RANGE COMPONENTS



The components of Rover K Smart configurations are the same as those used across Biesse's high-end solutions. The electrospindle, boring head and aggregates are designed and manufactured for Biesse by HSD, the global leader in this sector.

**C AXIS TORQUE:
QUICKER, MORE PRECISE,
MORE RIGID.**

Complete and compact working unit configuration, capable of handling any machining operation with the smallest possible footprint.



EASY TOOLING AND OPTIMAL PANEL HOLD



The Biesse work table guarantees optimum hold on the workpiece as well as quick tooling.



The innovative **ATS work table** boasts a universal design for superb flexibility and easy configuration.



The quick-coupling system ensures fast and easy replacement of the vacuum modules and the Uniclamps, used to lock narrow and particularly thick pieces in position.



Uniclamp clamps with pneumatic system.





Different references for the machining of multiple components.



The **Pick Up** station supports automatic tool-holder rack tooling.



Thanks to the **16 position revolver**, tools and aggregates are always available, without the need for operator intervention when moving from one machining process to the next.

SMART LINE

TECHNOLOGY TO NOT MISS OUT ON

High-level technical solutions offering superb results with maximum ease and user safety.

The Smart range for Rover has been created to meet the needs of customers looking for high performance with a limited investment. With high-level, quality components and prismatic linear guides, the work surfaces on these machines can be configured with a variety of working units and are the ideal fit for manufacturers requiring a Y 1500 mm working field and powerful 13 kW electrospindle. These features make Rover Smart machines some of the most compelling and unique solutions in their category, guaranteeing reliability and safety, with CE compliance as standard. Rover K Smart is a competitive solution for machining large panels.



over K Smart

LONG TERM QUALITY AND RELIABILITY



The double X-axis motorisation supports high speeds and accelerations whilst ensuring high quality finish and precision.



Suction cap adjustable on 6 positions allows a constant cleaning of the product and the surrounding area.

The Gantry structure has been designed to improve the precision and reliability of machining operations. Rigidity and lack of vibration ensures consistent and reliable quality of machined panels.

IDENTITY

PRACTICAL DESIGN

An innovative yet simple design is the hallmark of Biesse's distinctive identity.

The transparent polycarbonate reinforced protection door is designed to guarantee maximum visibility for the operator. Fitted with 5-colour LEDs indicating machine status, it ensures that processing phases can be easily and safely monitored.



ROVER

MAXIMUM OPERATOR SAFETY

The fully-enclosed working units with perspex window ensures total safety and maximum visibility.



Pressure-sensitive floor mats for active safety: the machine continues to work consistently at maximum speed, even when the operator is present.





PC with Windows real-time operating system and B_SOLID software interface, including anti-collision system.

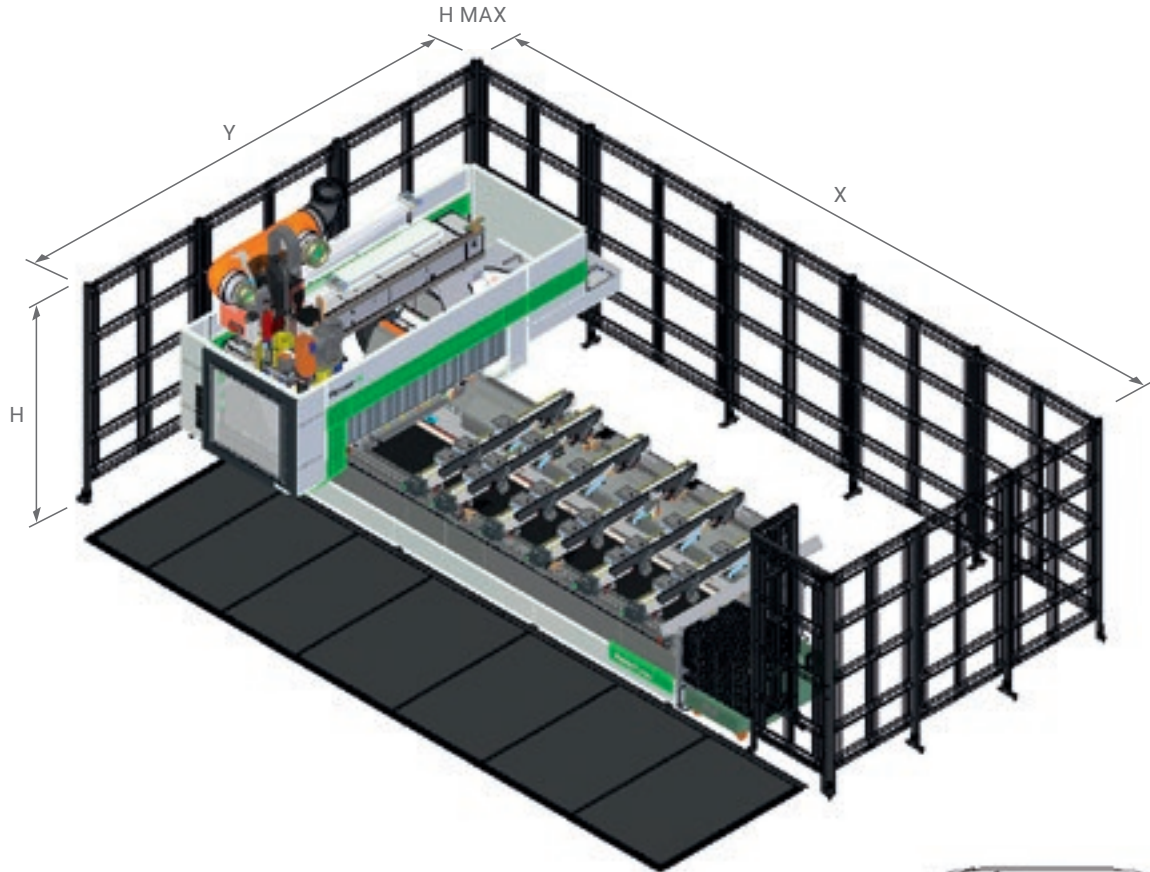


Remote control panel for direct and immediate operator control.



LED bar with 5 colours, indicating the machine status in real time.

TECHNICAL DATA

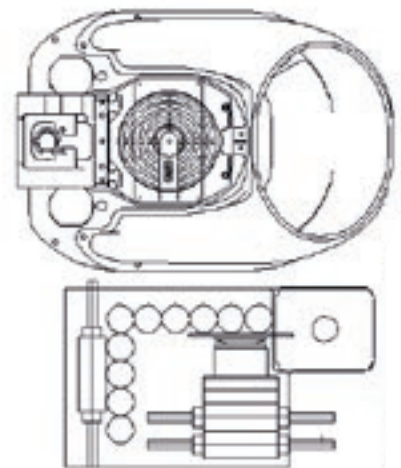


OVERALL DIMENSIONS OF SAFETY FENCES AND CONTACT MATS

		X	Y	H	H MAX
ROVER K SMART 1532	mm/inch	6745/265.6	4517/177.8	2000/78.7	2400/94.5
X/Y/Z axis speed	m/min - ft/min	85/60/20 - 278.8/196.8/65.6			
Vector speed	m/min - ft/min	104/341.2			

WORKING FIELDS

		X	Y	Z
ROVER K SMART 1532	mm/inch	3260/128.3	1560/61.4	165/6.5



WORKING UNIT CONFIGURATION

13.2 kW electrospindle.
BHZ 17L boring head.

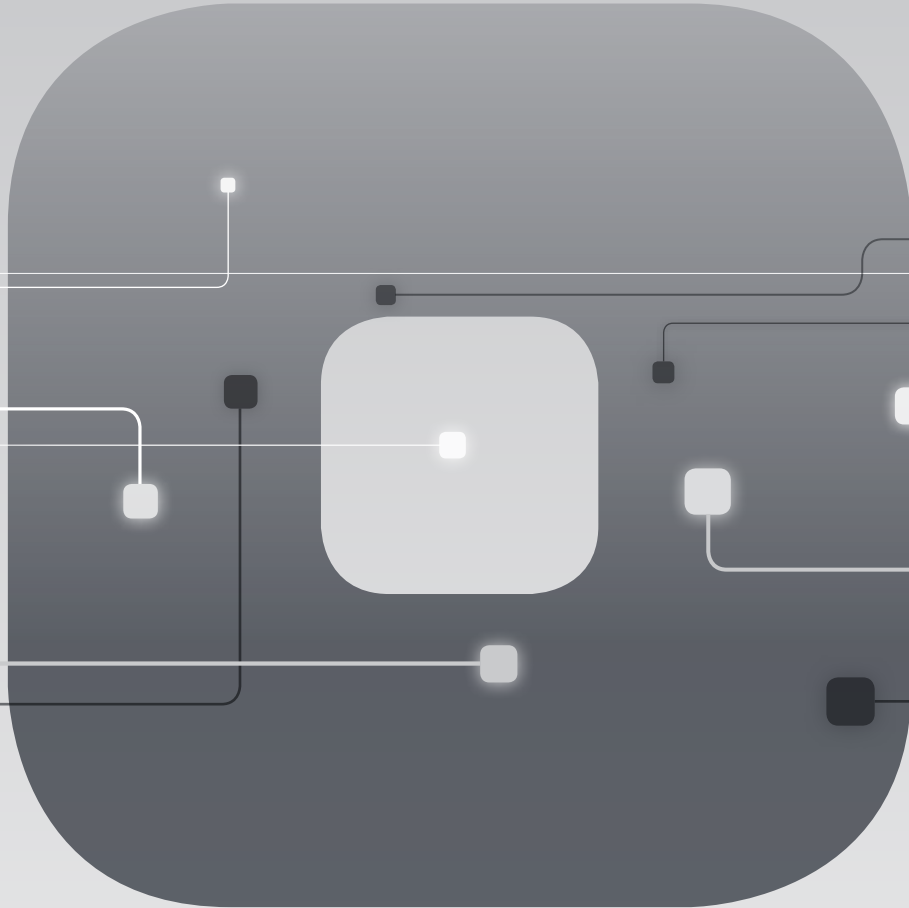
The technical specifications and drawings are non-binding. Some photos may show machines equipped with optional features. Biesse Spa reserves the right to carry out modifications without prior notice.

The correct noise pressure level, measured from the operator's workstation, is: LP = 78 dB (A), during boring. LP = 78.5 dB (A), during milling. The noise power level is: LWA = 93.5 dB, during boring. LWA = 95.5 dB, during milling. Uncertainty factor K = 4 dB.

The measurement was carried out measured according to EN ISO 3746 - EN ISO 11202. The noise levels shown are emission levels and do not necessarily correspond to safe operation levels. Despite the fact that there is a relationship between emission and exposure levels, this may not be used in a reliable manner to establish whether further measures need to be taken. The factors determining the exposure level for the workforce include length of exposure, work environment characteristics, other sources of dust and noise, etc. i.e. the number of other adjoining machines and processes. At any rate, the above information will enable the operator to better evaluate dangers and risks.

SOPHIA

GREATER VALUE FROM MACHINES



The Biesse IoT platform which enables customers to access an extensive range of services to streamline and rationalise their work management processes.

□ SERVICES

□ PROACTIVITY

□ ANALYSIS

HIGH-TECH BECOMES ACCESSIBLE AND INTUITIVE



B_SOLID IS A 3D CAD CAM SOFTWARE PROGRAM THAT SUPPORTS THE PERFORMANCE OF ANY MACHINING OPERATION THANKS TO VERTICAL MODULES DESIGNED FOR SPECIFIC MANUFACTURING PROCESSES.

- Planning in just a few clicks.
- Simulating machining operations to visualise the piece ahead of manufacturing and have some guidance for the planning phase.
- Virtual prototyping of the piece to avoid collisions and ensure optimal machine equipment.
- Machining operation simulation with a calculation of the execution time.



MANAGING PRODUCTION IN A SIMPLE, USER- FRIENDLY MANNER



SmartConnection is a web-based solution that can be used by any device.



SMARTCONNECTION IS A SOFTWARE PACKAGE FOR MANAGING JOB ORDERS WITHIN THE COMPANY - FROM THE GENERATION PHASE TO SCHEDULING AND ACTUAL PRODUCTION START-UP - IN JUST A FEW SIMPLE, INTUITIVE STEPS.

THANKS TO SMARTCONNECTION, THE PRODUCTION SITE MACHINES CAN BE LINKED UP TO TRANSFORM THE COMPANY INTO A 4.0 ENTITY.

MANAGE THE JOB ORDER



PLAN

SMART CONNECTION

Powered by Retuner



SCHEDULE

WORK



Biesse is extending SmartConnection across all geographical areas.
To check availability in your country, get in touch with your commercial contact.

CUSTOMER CARE IS WHO WE ARE

SERVICES is a new experience for our customers, to offer not just excellent technology but the added value of an increasingly direct connection with the company, the professionals who work there and the experience they embody.



ADVANCED DIAGNOSTICS

Digital channels for remote interaction online 24/7. Always ready to intervene on-site seven days a week.



A WORLDWIDE NETWORK

39 branch offices, over 300 certified agents, retailers in 120 countries, and spare parts warehouses in America, Europe and the Far East.



SPARE PARTS AVAILABLE IMMEDIATELY

Identification, shipping and delivery of spare parts for every need.



EVOLVED TRAINING OPPORTUNITIES

Lots of on-site, online and classroom training modules for personalised growth.



VALUABLE SERVICES

A wide range of services and software packages to help our customers achieve continuous improvements in performance.

AN EXCELLENT LEVEL OF SERVICE

+550

HIGHLY SPECIALISED
TECHNICIANS AROUND
THE WORLD, READY TO
HELP CUSTOMERS WITH
EVERY NEED

90%

OF MACHINE DOWN CASES
WITH RESPONSE TIME
UNDER 1 HOUR

+100

EXPERTS IN DIRECT
CONTACT THROUGH
REMOTE CONNECTIONS
AND TELESERVICE

92%

OF SPARE PARTS ORDERS
FOR MACHINE DOWNTIME
PROCESSED WITHIN 24
HOURS

+50.000

ITEMS IN STOCK IN
THE SPARE PARTS
WAREHOUSES

+5.000

PREVENTIVE
MAINTENANCE VISITS

80%

OF SUPPORT REQUESTS
SOLVED ONLINE

96%

OF SPARE PARTS ORDERS
DELIVERED IN FULL ON
TIME

88%

OF CASES SOLVED WITH
THE FIRST ON-SITE VISIT

MADE WITH BIESSE

BIESSE GROUP TECHNOLOGIES JOIN FORCES WITH LAGO'S INNOVATION AND TOTAL QUALITY MANAGEMENT PROCESSES

In the crowded world of domestic design, Lago takes its place as an emerging brand, thanks to a collection of stimulating products and a corporate philosophy that embraces the interaction between business and art, coupled with on-going research into sustainable development. "We created a number of projects, or rather, concepts - states Daniele Lago - that have shaped Lago as we see it today: we saw design as a cultural vision that applies not only to individual products, but rather to the entire business chain". "Flexibility is the key word here at Lago" says Carlo Bertacco, Manufacturing Manager. "We started to

introduce the concept of processing only outstanding orders, which enabled us to reduce our footprint and empty the site from the very beginning". "The machinery that we purchased - states Bertacco - is great, it entailed a limited investment versus the capabilities it offers and is linked to a specific manufacturing approach. What I am talking about is a given manufacturing volume with Lago-standard quality levels and the possibility of customising as late as possible, at the customer's request: in short, the very basic principles of lean manufacturing".

*Source: IDM Industria del Mobile
Lago, our customer since 1999, is one of most
prestigious Italian furniture brands in the world.*

LAGO.IT



Founded in Italy,
international native.

We are an international company that manufactures integrated lines and machines to process wood, glass, stone, plastic and composite materials and what will come next.

Thanks to our rooted competence nurtured by an ever-growing worldwide network, we support your business evolution – empowering your imagination.

Master of materials, since 1969.

We simplify your
manufacturing
process to make
the potential of
any material
shine.



Join the
Biesse world.

[biesse.com](https://www.biesse.com)



